

## JAG PSC Powder separator



### CIP suitable powder separator for pneumatic conveyor plants

The JAG PSC can be installed as a standalone separator in suction or pressure conveying systems.

It can also be installed directly in the receiving container without a shut-off device.

### Function

Simple and hygienic design.

Precise positioning of CIP jets allows total cleaning of the powder separator while it remains installed. Filter changes between batches are done away with. This means no contamination of the ambient air.

Production can be resumed immediately after CIP cleaning and drying. Product changes can be done quickly and thus at lower cost.

### Advantages and properties of the JAG PSC separator

- No filter media
- Simple product change
- Time savings
- CIP suitable
- Hygienic construction
- Simple assembly and disassembly
- Replacement for existing filter separators
- Can be used as a built-in or add-on separator
- Versatile range of applications



### Technical data

Design	Stainless steel 304/316L
CIP	Connection to CIP plant possible
Compressed air	6 bars
Type A	With separator tank
Type B	Separator insert only
Conveying type	Pressure and suction conveying

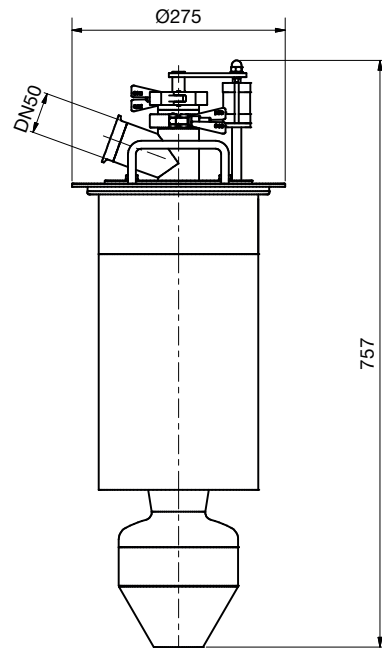
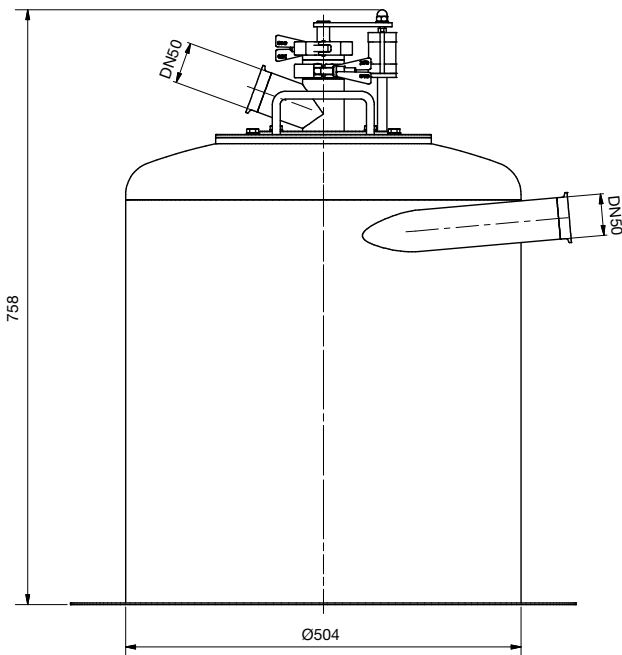
### Dimensions

Connector nozzle	DN50 (standard)
Diameter as add-on	Ø504mm
Height as add-on	758mm
Diameter if built-in	Ø275mm
Height as built-in separator	757mm

### Example of application

The JAG PSC is the solution for easy-to-clean pneumatic conveyor plants.

© JAG Jakob AG Prozesstechnik, 04/2016 V1.0



II 1/2 Ex h IIC T55 °C Da/Db