

JAG DSV Dosing valve



An innovative, efficient solution by JAG Jakob LTD Process Technology

The JAG DSV dosing valve is an innovative, efficient solution for specific dosed addition of liquids to powder.

The JAG DSV is used in the dairy, foodstuffs, chemicals, pharmaceuticals and biotech industries.

Function

Using a pneumatically powered positioner, the added liquid quantity is specifically adapted to the process, depending on the recipe or flow rate.

When fully open, the JAG DSV is also a CIP jet, which allows interesting applications.

Advantages and properties of the JAG DSV dosing valve

- Decreased mixing times in the mixing process when introducing liquids. This means that less energy is imparted onto the powder, preserving its structure and property.
- Addition of large or minuscule quantities to an exact recipe by automatically controlling the flow rate.
- Used as a CIP jet, cleaning of cutting rotor blades is also possible.
- Equipped with a double jacket for cooling or heating the product-contacted part of the dosing valve.

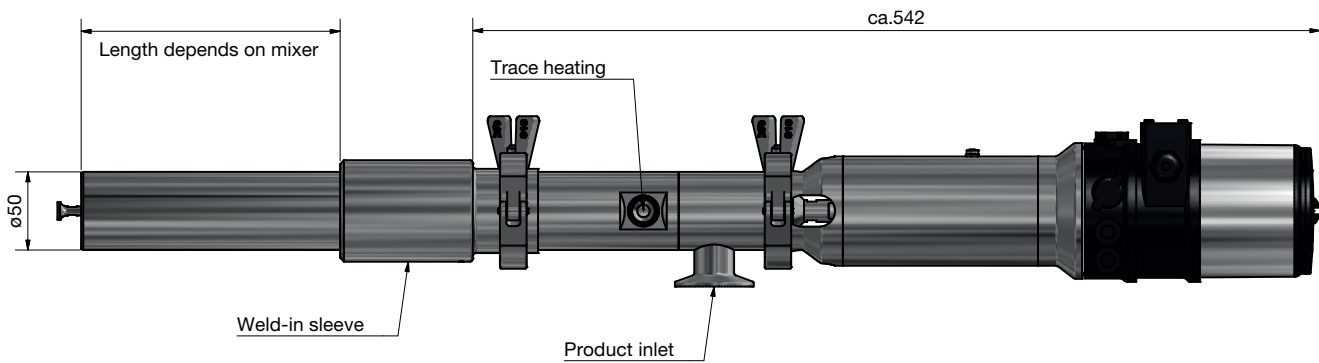
Technical data

Seals - product-contacted	EPDM / PTFE
Seals - non-product-contacted	EPDM / NBR
Material - product-contacted	1.4435/04 (316L)
Material - non-product-contacted	1.4301 (304)
Water flow	0 - 20m ³ /h
Operating temperature	4 – 110°C
Certificates	3.1 Certificate and FDA upon request

Dimensions

Air connection	G 1/8"
Product connection	TC NW 50mm
Double jacket heating connection	M 18
Abrasion length	542mm
Diameter	50mm

Slide view



Example of application

In a powder mixer, JAG DSV is positioned to be able to be used a CIP jet, even behind the blades of cutting rotors.

